



OWNER REVIEW
 08/25/11
 AUGUST 25, 2011
 Construction Document
r+b job # 0209
 U.A. # 08-8826

LANDSCAPE LEGEND

TREES
 ALL TREES TO MEET OR EXCEED A.N.A. SPECIFICATIONS

Name	Size	Quantity
Pinus canariensis Canary Island pine See Note 5	48" Box 36" Box 24" Box	3 6 3
Pinus echinata Short-Leaved Pine See Note 7	30 Gal.	2
Pinus nigra Austrian Black Pine See Note 8	10' Tall B&B	2
Pinus taeda Loblolly Pine See Note 7	1 1/2" Cal. B&B	2
Existing Tree to Remain In Place Unless Noted on Plans		

SHRUBS AND GRASSES

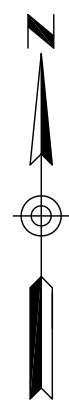
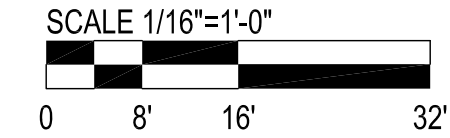
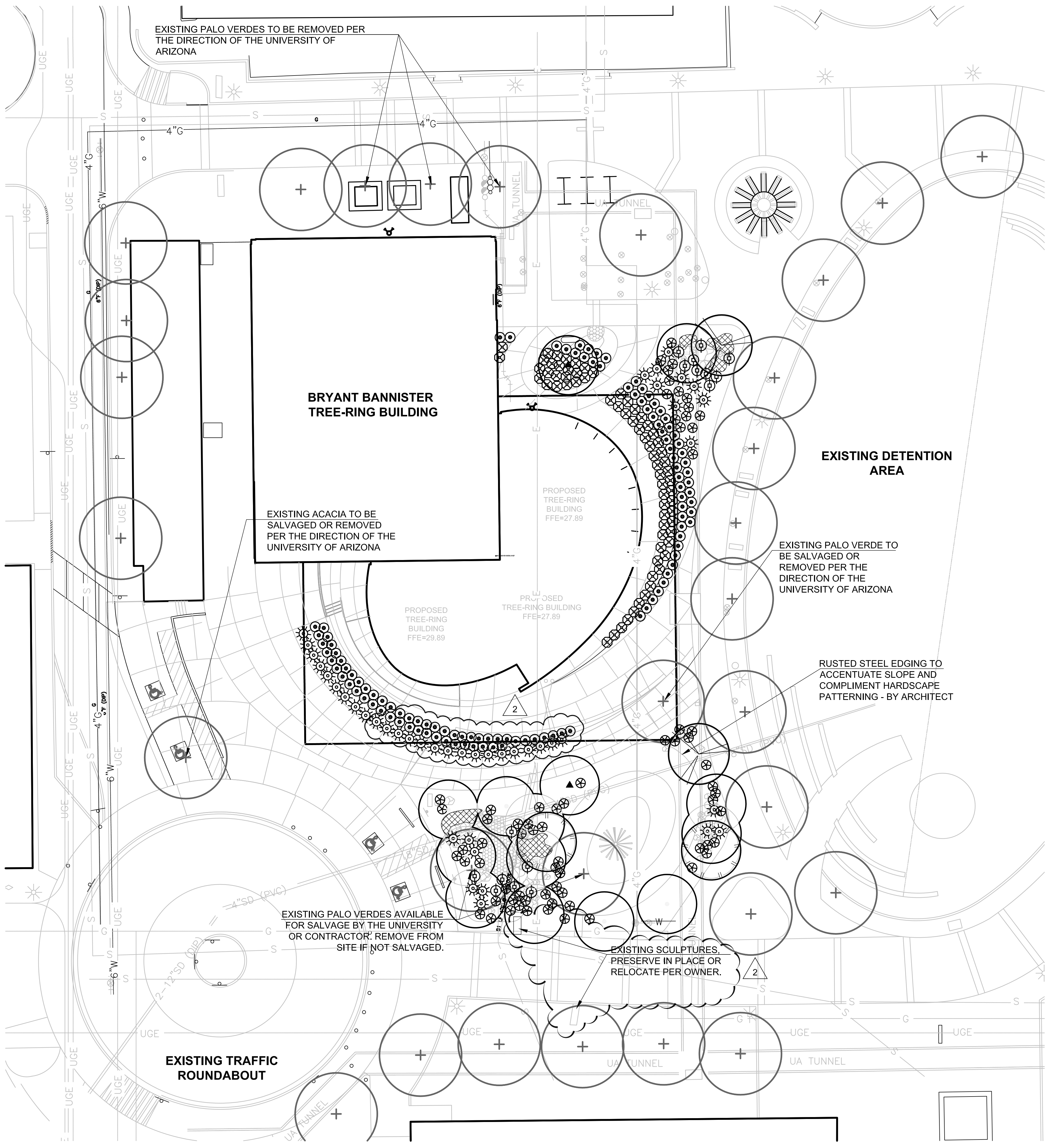
Name	Size	Quantity
Asparagus densiflorus 'Sprengerii' Sprenger's Asparagus Fern	5 Gal.	15
Muhlenbergia rigens Deer Grass	5 Gal.	27
Muhlenbergia capillaris Pink Muhly Grass	5 Gal.	43
Tagetes lemonii Mt. Lemmon Marigold	5 Gal.	69
Wedelia trilobata Yellow Dot	5 Gal.	113
Cheilanthes fendleri Fendler Lip Fern Planted at 24" O.C. See Note 6	5 Gal.	46

PLANT NOTES

- ALL PLANT QUANTITIES TO BE VERIFIED PRIOR TO PROCUREMENT. QUANTITIES SHOWN ON LEGEND ARE FOR REFERENCE ONLY. IN CASE OF DISCREPANCY, QUANTITIES SHOWN ON PLAN WILL PREVAIL.
- CONTRACTOR SHALL PROTECT PLANTS TO BE PRESERVED-IN-PLACE DURING CONSTRUCTION. ALL AREAS TO REMAIN UNDISTURBED AND PLANTS DESIGNATED TO BE PRESERVED-IN-PLACE SHALL BE FENCED. FENCING WILL REMAIN IN PLACE FOR THE DURATION OF CONSTRUCTION ACTIVITIES.
- ALL TREES SHALL BE LOCATED A MINIMUM OF 10'-0" FROM SEWER LINES, 3'-0" FROM GAS LINES, AND 5'-0" FROM WATER LINES.
- TREE SOURCE: AVAILABLE AT NORMAN'S NURSERY, SAN GABRIEL, CA (626-285-9795), OR APPROVED EQUAL.
- FERN SOURCE: CONTRACT-GROWN AVAILABLE AT TOHONO CHUL PARK, TUCSON, AZ (520) 742-6455. ESTIMATED COST IS \$30/PLANT.
- COMMERCIALY AVAILABLE AT:
LITTLE RIVER TREE FARM
TEXARKANA, TX.
(903) 793-6184
- COMMERCIALY AVAILABLE AT:
FLAGSTAFF NATIVE NURSERY PLANT & SEED
(928) 773-9406

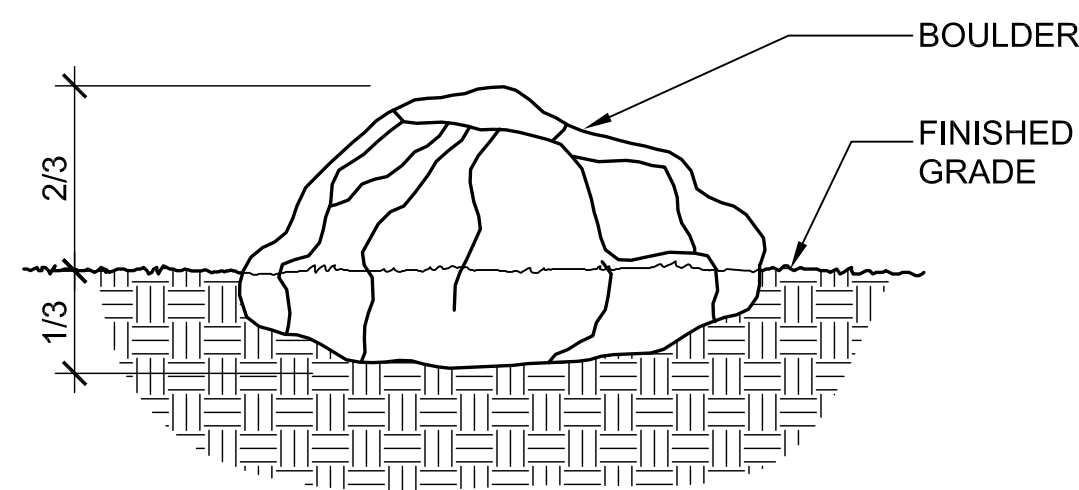
MAINTENANCE SCHEDULE

- FOR THE FIRST YEAR:
- PLANTS NOT SURVIVING AFTER 30 DAYS SHALL BE REPLACED WITH EQUIVALENT SIZE AND SPECIES. REPLACEMENT MATERIALS SHALL MEET ALL SPECIFICATIONS OF ORIGINAL MATERIALS.
 - PLANT MATERIAL SHALL ONLY BE PRUNED TO CONTROL SIZE AND BE ALLOWED TO GROW IN ITS NATURAL GROWTH PATTERN.
 - INERT GROUNDCOVER SHALL BE REPLACED AS NEEDED DUE TO DISPLACEMENT OR EROSION.
 - MONTHLY MAINTENANCE SHALL BE PERFORMED TO KEEP LANDSCAPED AREAS FREE OF TRASH, WEEDS, DEBRIS AND DEAD PLANT MATERIAL.
 - REGULAR MONTHLY IRRIGATION CHECKS SHALL BE PERFORMED TO CHECK FOR AND/OR REPLACE LEAKY OR BROKEN PIPES, FITTINGS AND MALFUNCTIONING OR MISALIGNED HEADS, EMITTERS, AND BUBBLERS.



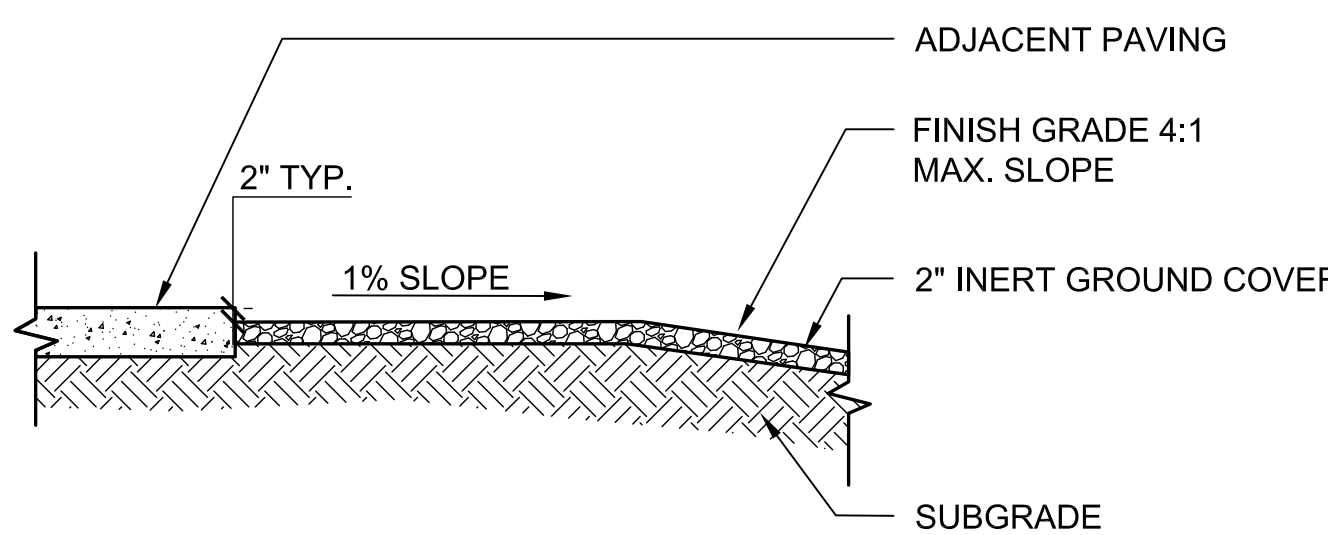
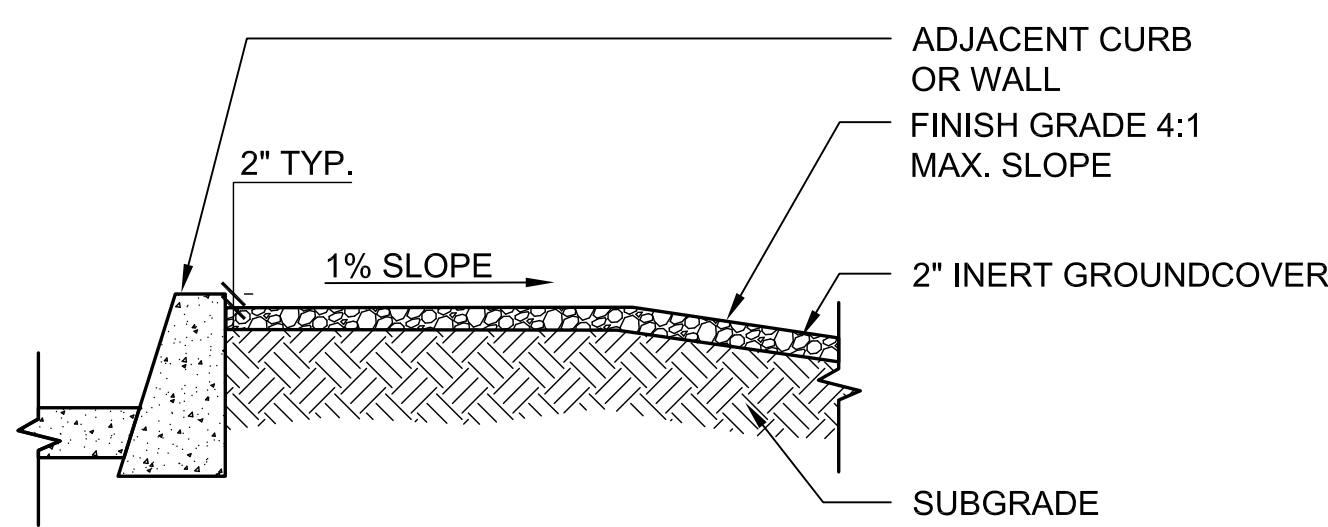
LABORATORY OF TREE-RING RESEARCH
BRYANT BANNISTER TREE-RING BUILDING
 The University of Arizona - Tucson, Arizona

PLANTING PLAN

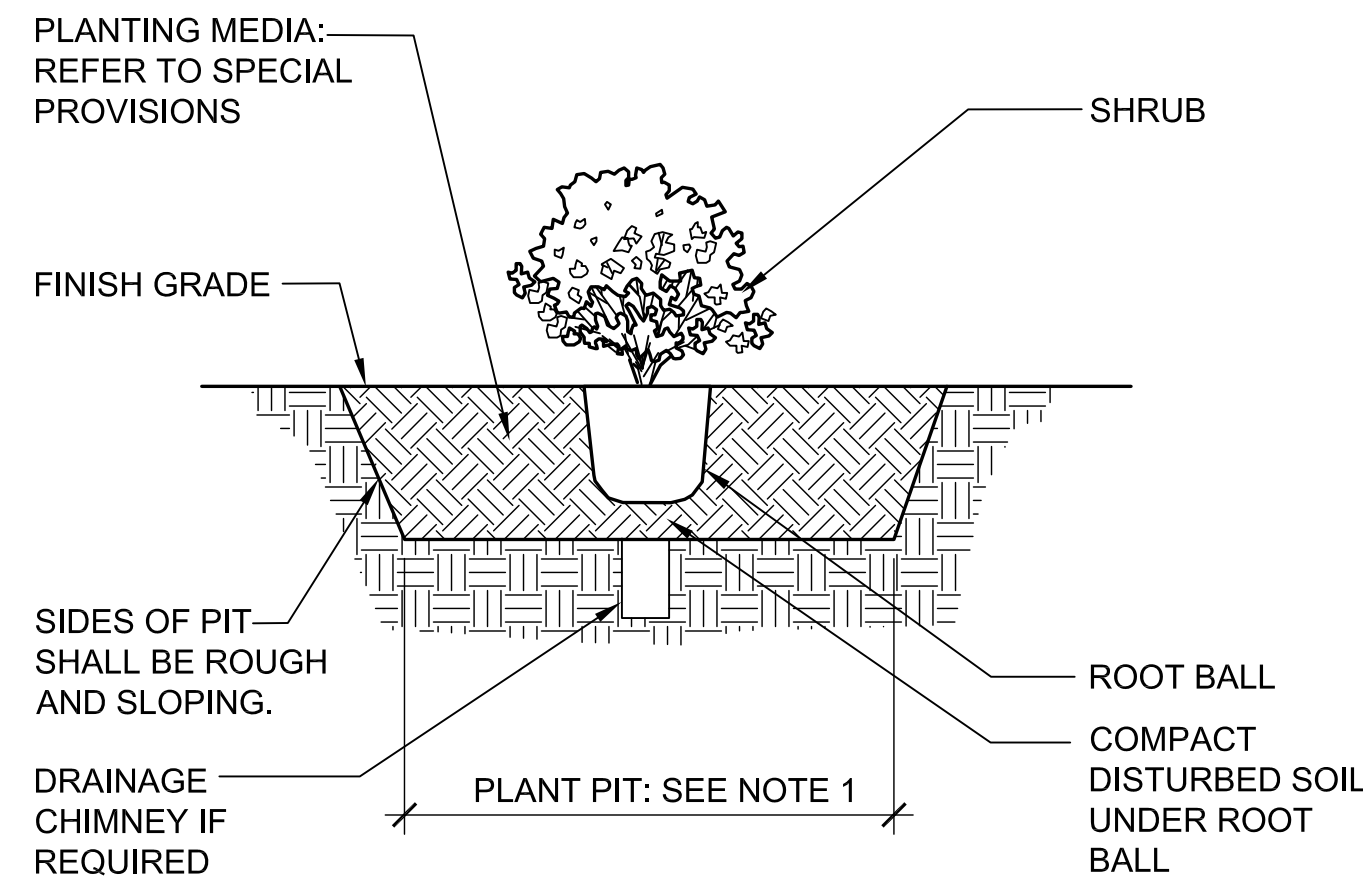


NOTES:
 1. BOULDER TO BE SET WITH MINIMUM 1/3 MASS BELOW FINISHED GRADE.
 2. SUBGRADE TO BE COMPACTED TO 90% OR AS OTHERWISE INDICATED ON PLANS.
 3. ALL BOULDERS TO BE FROM SURFACE LOCATIONS, WEATHERED AND UNBROKEN.

1 DECORATIVE BOULDER
 SCALE: NTS

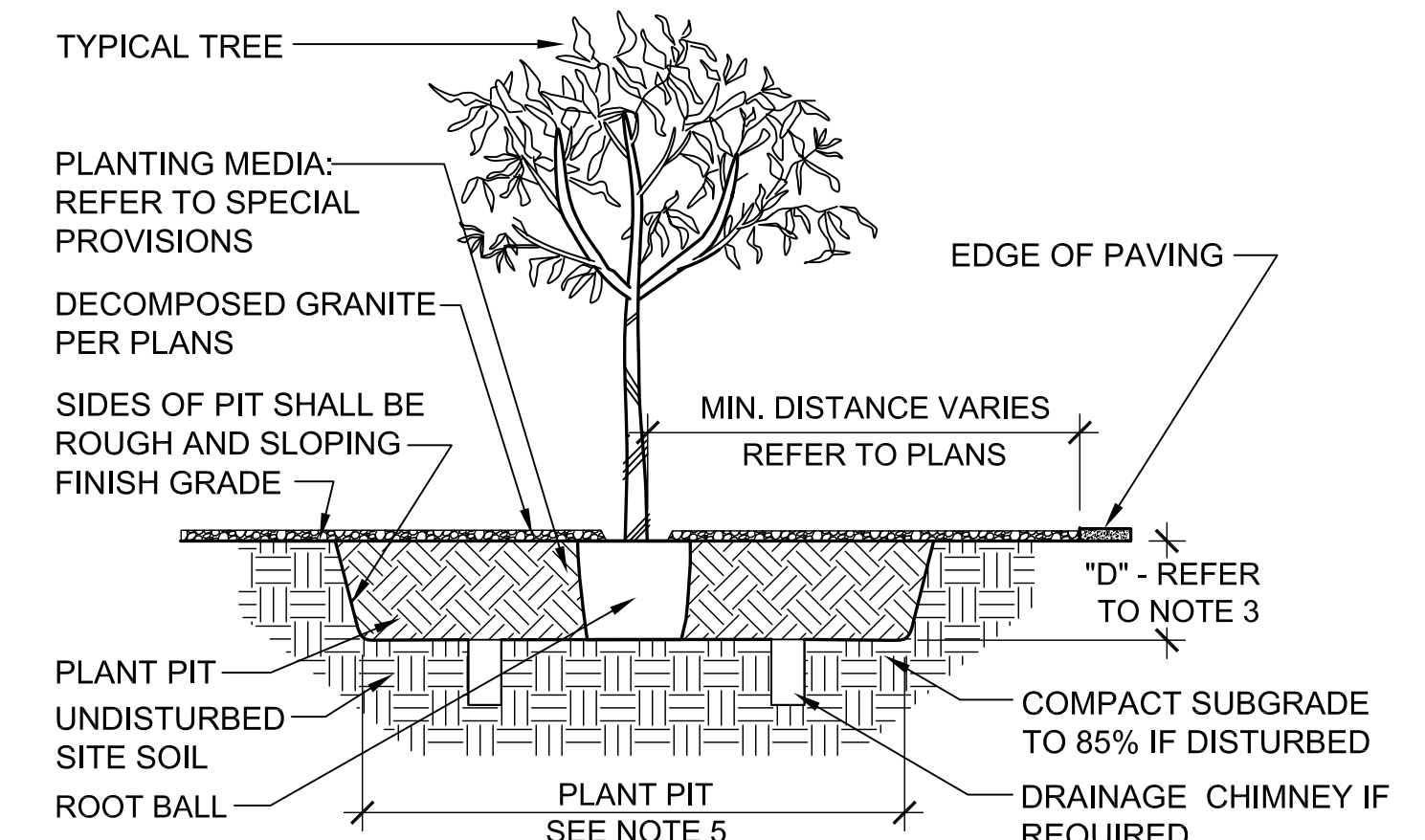


4 FINISH GRADE AT CURB AND PAVING
 SCALE: NTS



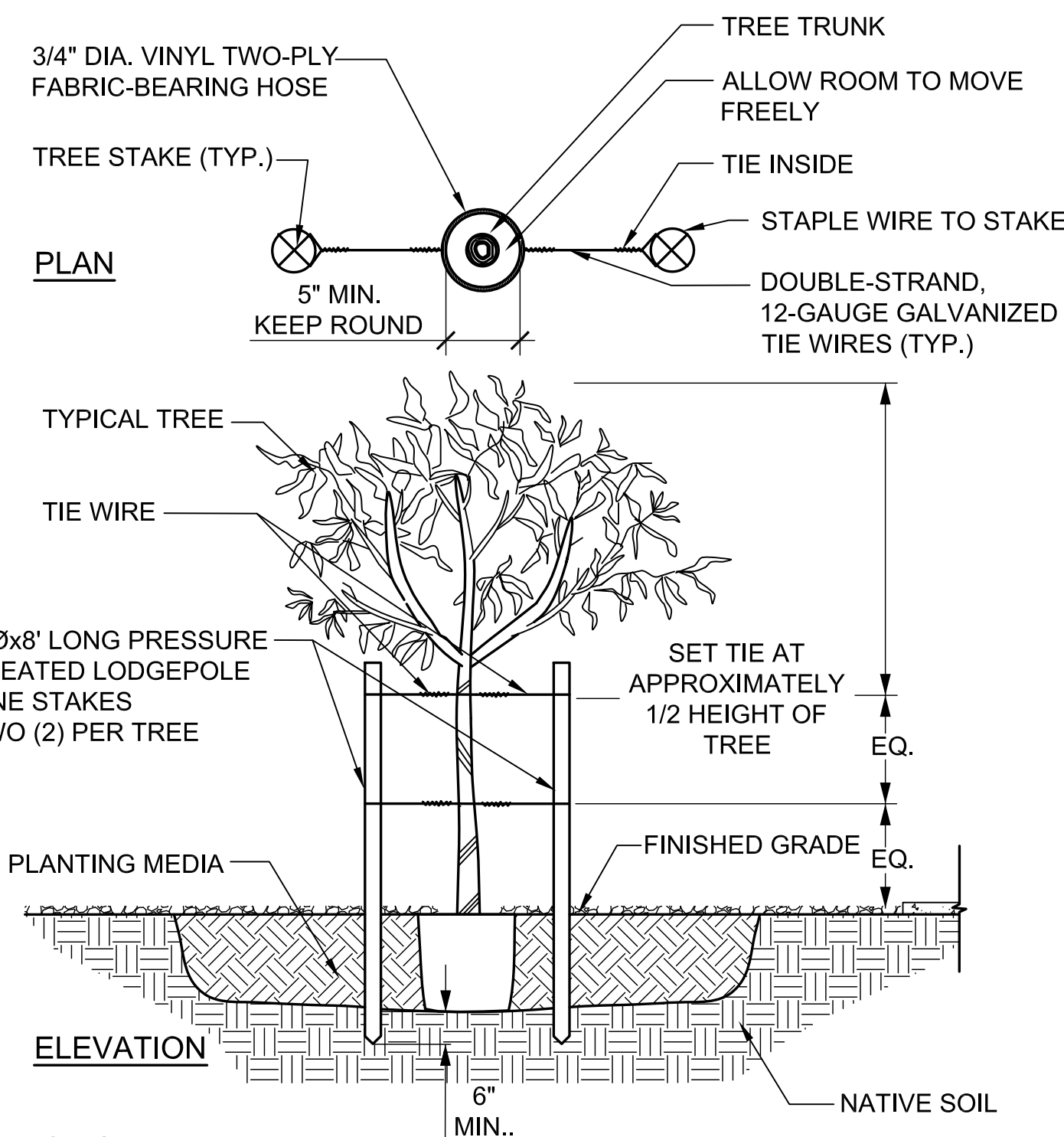
NOTES:
 1. PIT SIZES:
 1 GAL-18" DIAMETER
 5 GAL-36" DIAMETER
 2. DEPTH OF PLANT PIT TO BE EQUAL TO DEPTH OF ROOTBALL.

2 SHRUB PLANTING
 SCALE: NTS



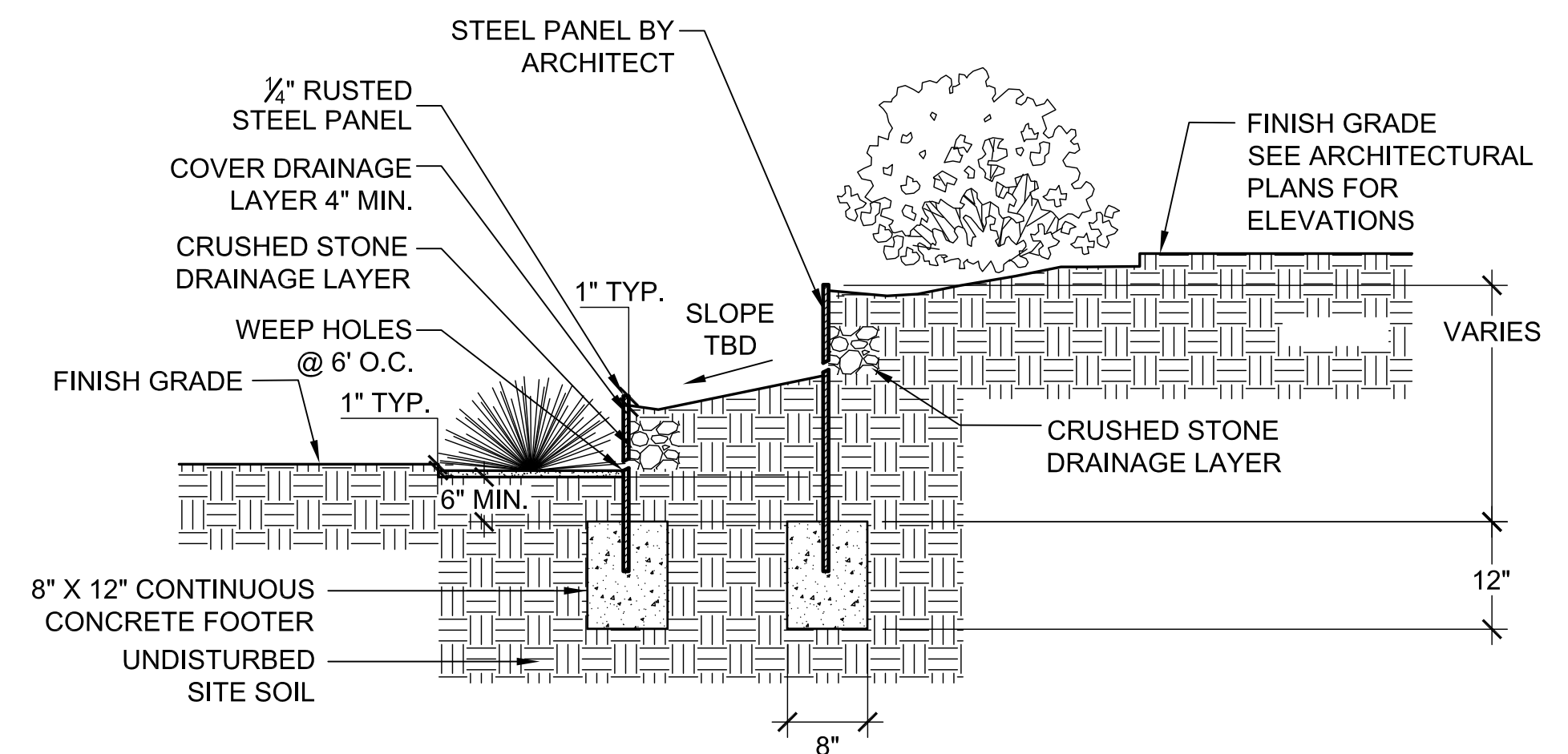
NOTES:
 1. PLANTS SHALL NOT BE PRUNED EXCEPT AT THE DIRECTION OF THE OWNER'S REPRESENTATIVE.
 2. REFER TO TREE STAKING DETAIL.
 3. DEPTH ("D") OF PLANT PIT TO BE EQUAL TO DEPTH OF ROOT BALL.
 4. MULCH TO NOT TOUCH TRUNK OF TREE.
 5. PIT SIZES:
 15 GAL.-60" DIAMETER
 24" BOX-60" SQUARE
 36" BOX AND LARGER-18" CLEAR ON ALL SIDES

3 TREE PLANTING
 SCALE: NTS



NOTES:
 1. PLANTS SHALL NOT BE PRUNED EXCEPT AT THE DIRECTION OF THE OWNER'S REPRESENTATIVE
 2. STAKE ALL BOXED TREES.
 3. SET STAKES PARALLEL TO SIDEWALK AND PAVEMENT

6 TREE STAKING
 SCALE: NTS



7 RUSTED STEEL RETAINING PLANTER WALL
 SCALE: NTS

REVISION 2 NOTE:
 NO CONTENT OR NUMBERS HAVE BEEN CHANGED,
 ONLY THEIR LOCATION ON THE SHEET.

5 NOT USED
 SCALE: NTS

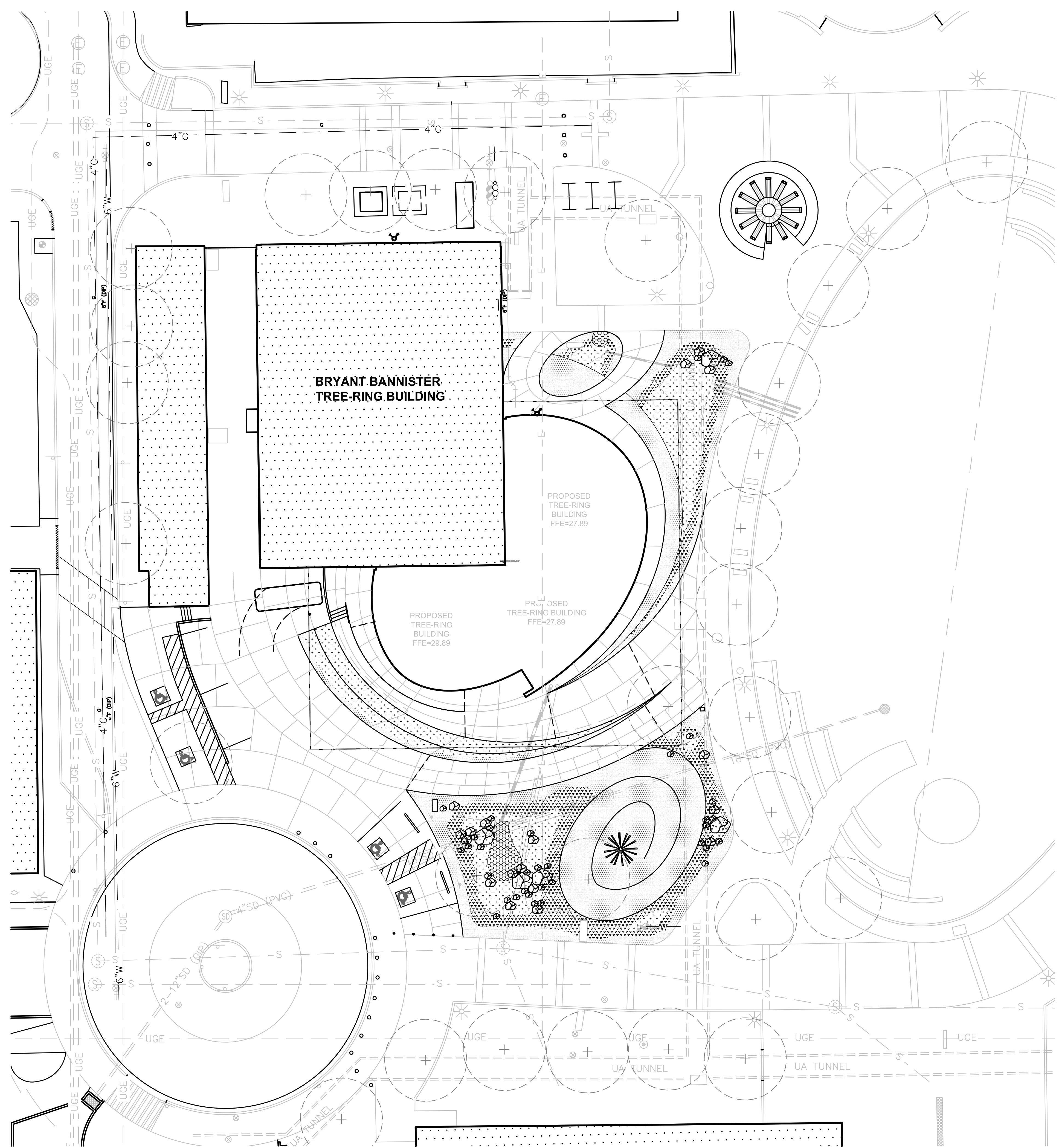
8 NOT USED
 SCALE: NTS



OWNER REVIEW
 08/25/11

AUGUST 25, 2011
 Construction Documents
 r+b job #: 0209

U.A. # 08-8826

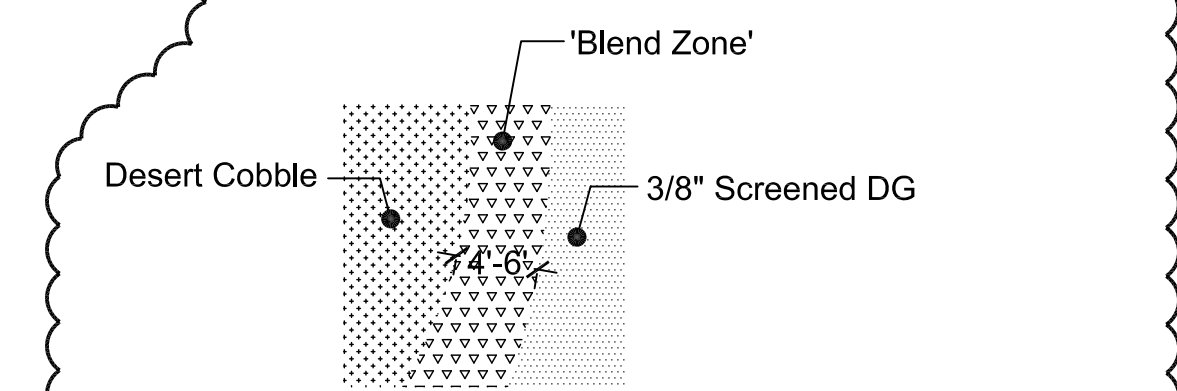


MATERIALS NOTES

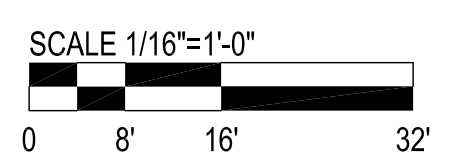
1. ALL MATERIALS QUANTITIES TO BE VERIFIED PRIOR TO PROCUREMENT. QUANTITIES SHOWN ON LEGEND ARE FOR REFERENCE ONLY. IN CASE OF DISCREPANCY, QUANTITIES SHOWN ON PLAN WILL PREVAIL.
2. CONTRACTOR SHALL PROTECT MATERIALS TO BE PRESERVED-IN-PLACE DURING CONSTRUCTION. ALL AREAS TO REMAIN UNDISTURBED SHALL BE FENCED OFF. FENCING WILL REMAIN IN PLACE FOR THE DURATION OF CONSTRUCTION ACTIVITIES.
3. ALL HARDSCAPE PAVING AND STAIRS BY ARCHITECT.

MATERIALS LEGEND

Name	Size	Quantity
Bristlecone Pine Snag Provided by Owner	As Provided by Owner	
6' Boulder - Surface Select Catalina, or Equal		5
3' Boulder - Surface Select Catalina, or Equal		18
2' Boulder - Surface Select Catalina, or Equal		34
Desert Cobble Express Natural, Color to be selected by Owner/ Architect		1,974 SF 1,883 SF
Desert Cobble and 3/8" Screened blend zone: See Diagram Below. Color to be selected by Owner/ Architect		1,290 SF 1,428 SF
3/8" Screened Decomposed Granite Color to be Desert Gold		3,715 SF 3,743 SF
Desert Cobble Thickness profile for erosion protection Ref. Civil Detail		150 SF

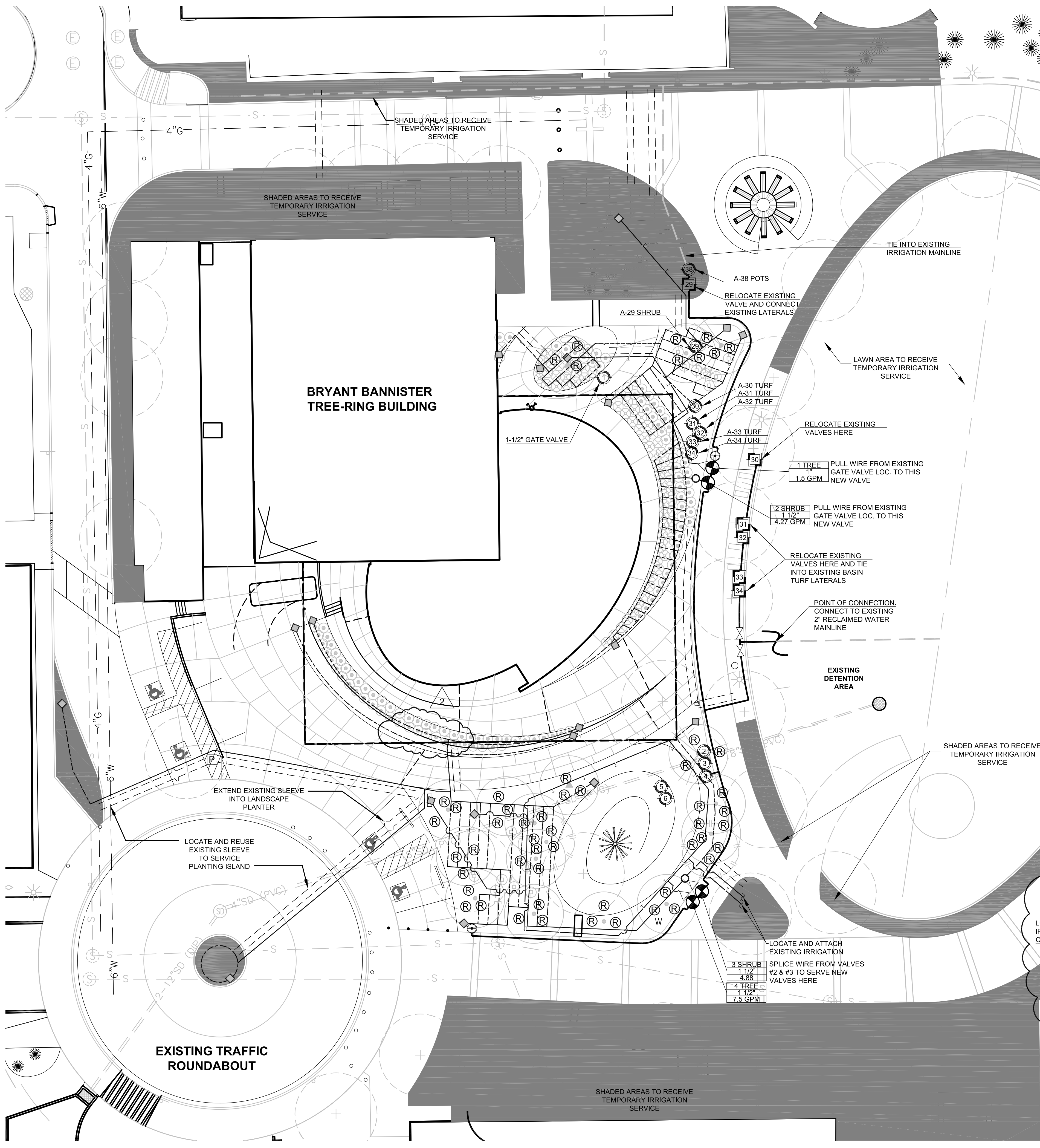


NOTE:
 Install Desert Cobble Layer above 3/8" Screened Layer.
 Desert Cobble and Decomposed Granite 'Blend Zone' Diagram



LABORATORY OF TREE-RING RESEARCH
BRYANT BANNISTER TREE-RING BUILDING
 The University of Arizona - Tucson, Arizona

MATERIALS PLAN

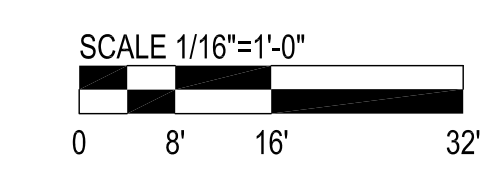


IRRIGATION LEGEND

SYMBOL	EQUIPMENT	PRODUCT	SIZE
	IRRIGATION POINT OF CONNECTION	CONNECT TO EXISTING 2" MAINLINE	AS SHOWN ON PLANS
	CONTROLLER,	NOT USED	
	PRESSURE REGULATOR	SENNINGER PMR-35MF	AS REQ'D (1" OR 3/4")
	GATE VALVE	-	1 1/2" OR AS REQ'D
	PULL BOX	CONCRETE BOX W/ STEEL LID	AS NEEDED
	REMOTE CONTROL VALVE ASSEMBLY	RAINBIRD-PESB	AS NOTED
	ORIGINAL LOCATION OF EXISTING REMOTE CONTROL VALVE ASSEMBLY		AS NOTED
	PROPOSED LOCATION OF EXISTING REMOTE CONTROL VALVE ASSEMBLY		AS NOTED
	AIR/ VACUUM RELIEF VALVE	RAINBIRD XFS KIT	
	ROOT WATERING SYSTEM	RAINBIRD RWS-B-1402 (0.50 GPM)	36"
	QUICK COUPLING VALVE	RAINBIRD 44-NP NON-POTABLE W/LOCKING COVER	1"
	MAIN LINE	PVC SCH 40	1-1/2" UNLESS OTHERWISE SHOWN
	TREE LATERAL LINE	PVC CLASS 200	3/4"
	SHRUB LATERAL LINE	PVC CLASS 200	3/4"
	LANDSCAPE DRIPLINE	NETAFIM TDL9-18-10 OR APPROVED EQUAL	
	SLEEVE	PVC SCH 40	4", UNLESS OTHERWISE NOTED
	NOT SHOWN	EMITTER ASSEMBLY MULTI-PORT; (2 GPH)	RAINBIRD XB-10-6 AND XB-20-6; SHRUBS WITH SAME FLOW RATE TO SHARE
	END CAP	AUTOMATIC FLUSHING, COMPRESSION END PLUG	
	B-3 SHRUB xx GPM	VALVE NUMBER/ TYPE VALVE SIZE GALLONS PER MINUTE	

IRRIGATION NOTES

1. IRRIGATION PLANS ARE SCHEMATIC. ACTUAL PIPE AND EQUIPMENT SHALL BE LOCATED IN PLANTING AREAS AND OUTSIDE OF RETENTION BASIN UNLESS SUPPLYING EMITTERS. PIPE AND EQUIPMENT SHALL NOT BE LOCATED WITHIN 5' OF THE BUILDING FOUNDATION. EQUIPMENT LOCATIONS SHALL BE APPROVED IN THE FIELD BY OWNER'S REPRESENTATIVE BEFORE INSTALLATION.
2. SOURCE WATER PRESSURE OF THE IRRIGATION SYSTEM REQUIRES A MINIMUM STATIC PRESSURE AT P.O.C. OF 60 PSI.
3. MAXIMUM WATER DEMAND SHALL BE 12.5 GPM. RUN A MAXIMUM OF TWO VALVES AT ONCE.
4. CONTRACTOR TO FIELD VERIFY ALL WATER PRESSURE AND FLOWS PRIOR TO INSTALLATION OF SYSTEM. IF INSUFFICIENT PRESSURE OR VOLUME ARE ENCOUNTERED NOTIFY OWNER IMMEDIATELY. CONTRACTOR SHALL COORDINATE WITH OWNER AS NEEDED TO ENSURE THAT IRRIGATION SCHEDULE DOES NOT CONFLICT WITH OTHER ACTIVITIES REQUIRING HIGH WATER USAGE.
5. SLEEVES ARE 4" SCH. 40 PVC UNLESS NOTED OTHERWISE. EXTEND ALL SLEEVES 1' BEYOND PAVEMENT.
6. CONTRACTOR TO CONFIRM LOCATION WITH OWNER'S REPRESENTATIVE BEFORE INSTALLATION.
7. INSTALL SPLICE BOXES FOR ALL WIRE SPLICE LOCATIONS.
8. CONTRACTOR SHALL MAINTAIN IRRIGATION TO ALL OFF SITE ADJACENT LANDSCAPE EITHER THROUGH A TEMPORARY IRRIGATION SYSTEM OR A HANDWATERING SCHEDULE.



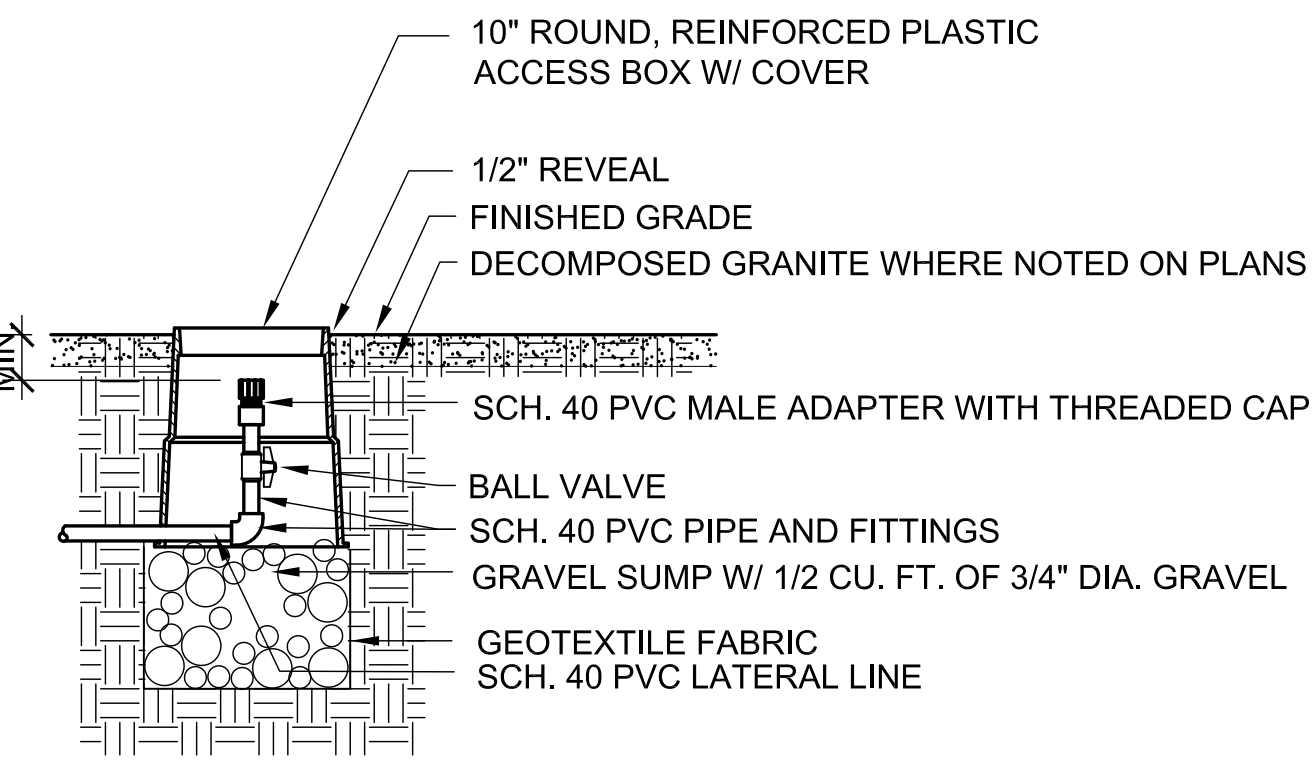
OWNER REVIEW
08/25/11
AUGUST 25, 2011
Construction Documents
r+b job #: 0209
U.A. # 08-8826

LABORATORY OF TREE-RING RESEARCH
BRYANT BANNISTER TREE-RING BUILDING
The University of Arizona - Tucson, Arizona

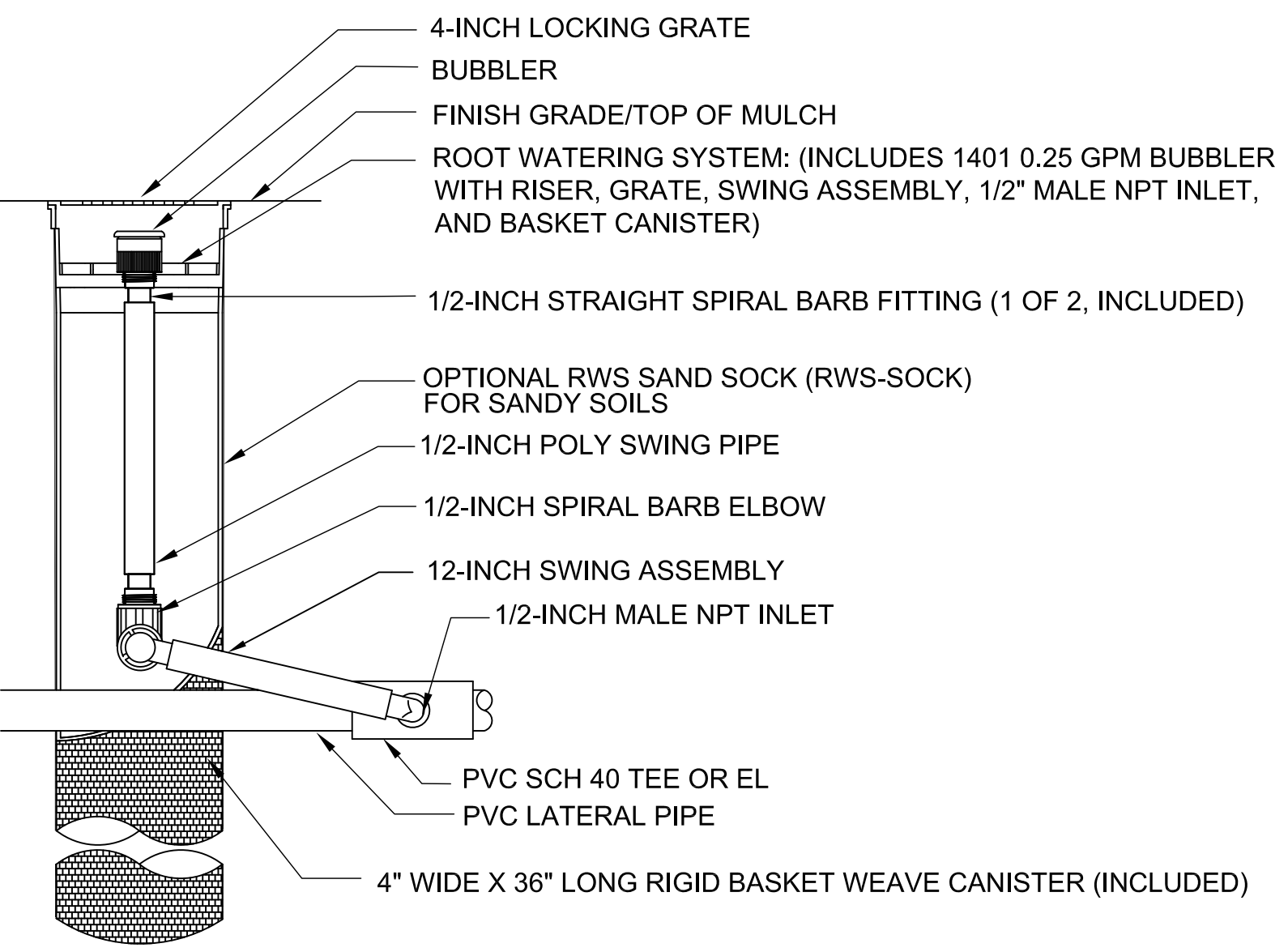
IRRIGATION PLAN

NOT USED

1 SCALE: NTS

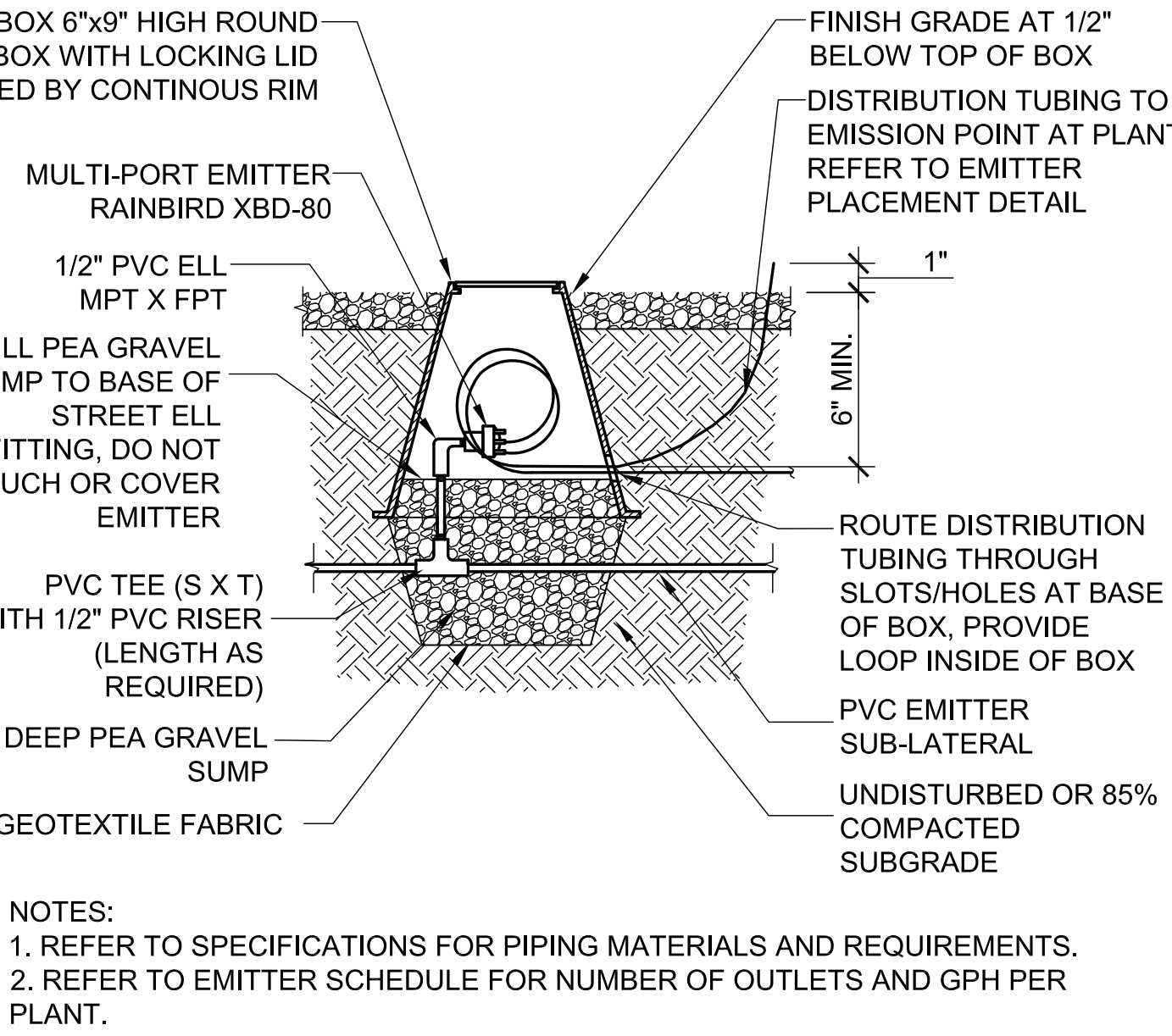
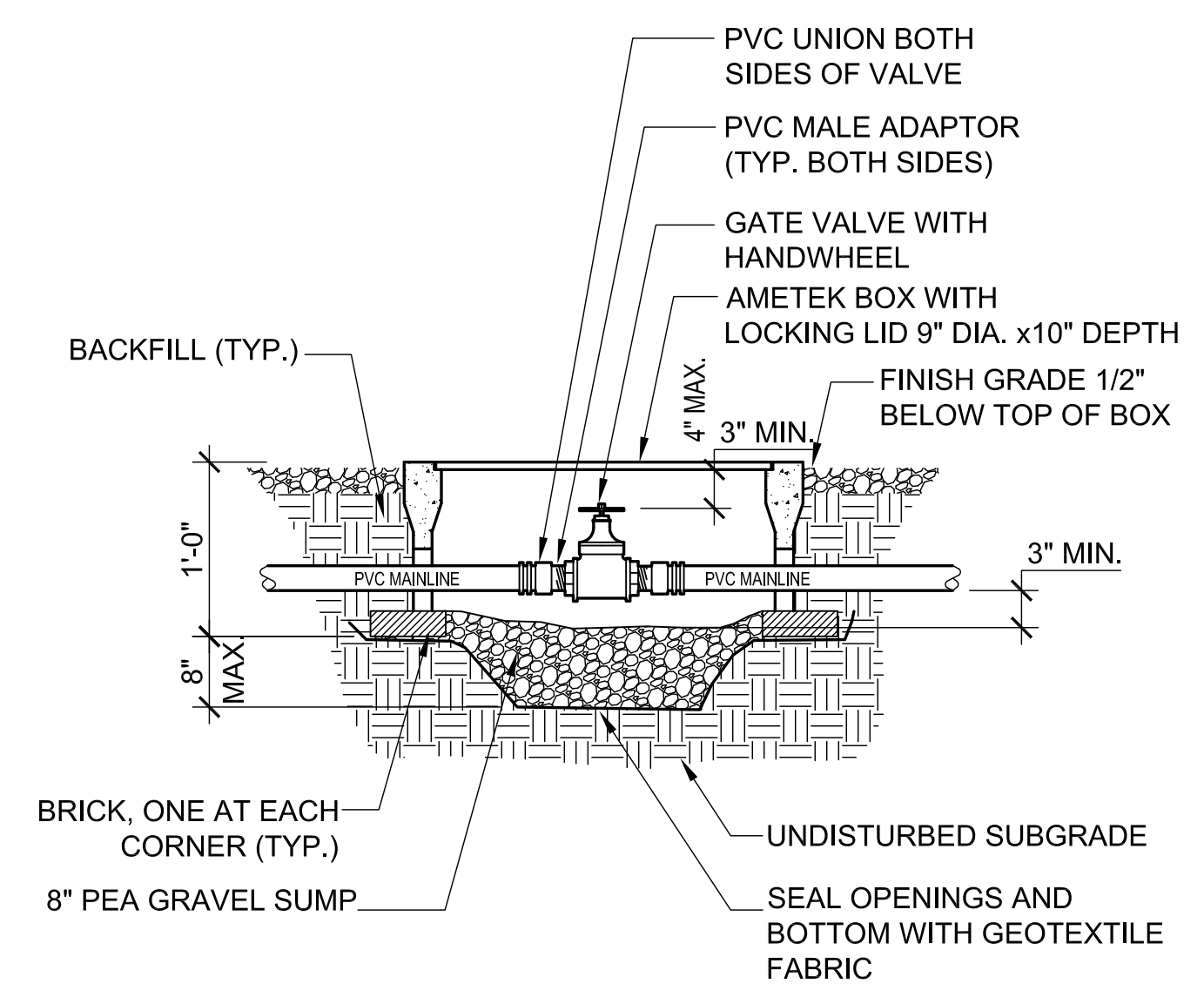


5 PVC LATERAL FLUSH END CAP
SCALE: NTS

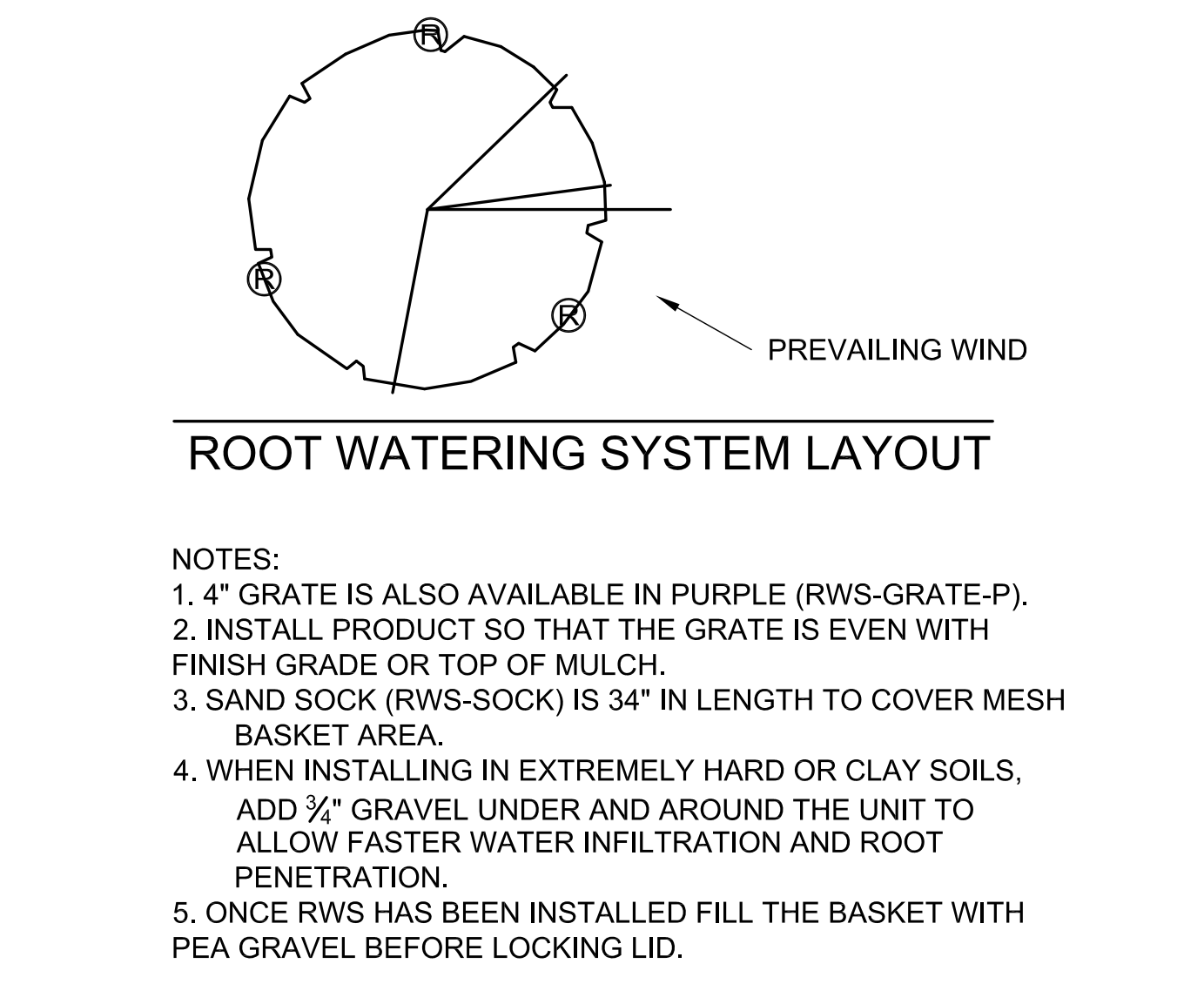


9 ROOT WATERING SYSTEM
SCALE: NTS

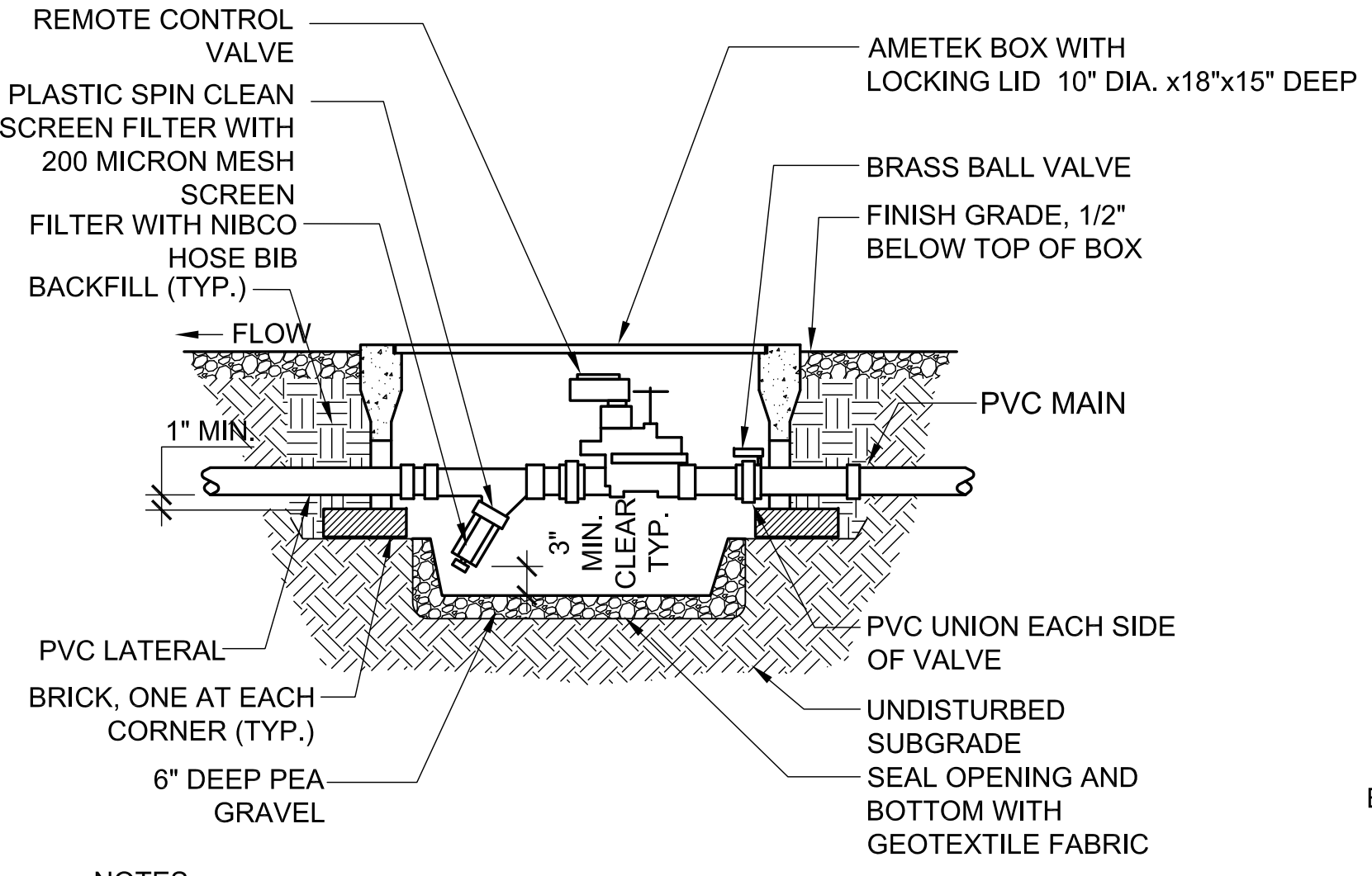
2 GATE (ISOLATION) VALVE
SCALE: NTS



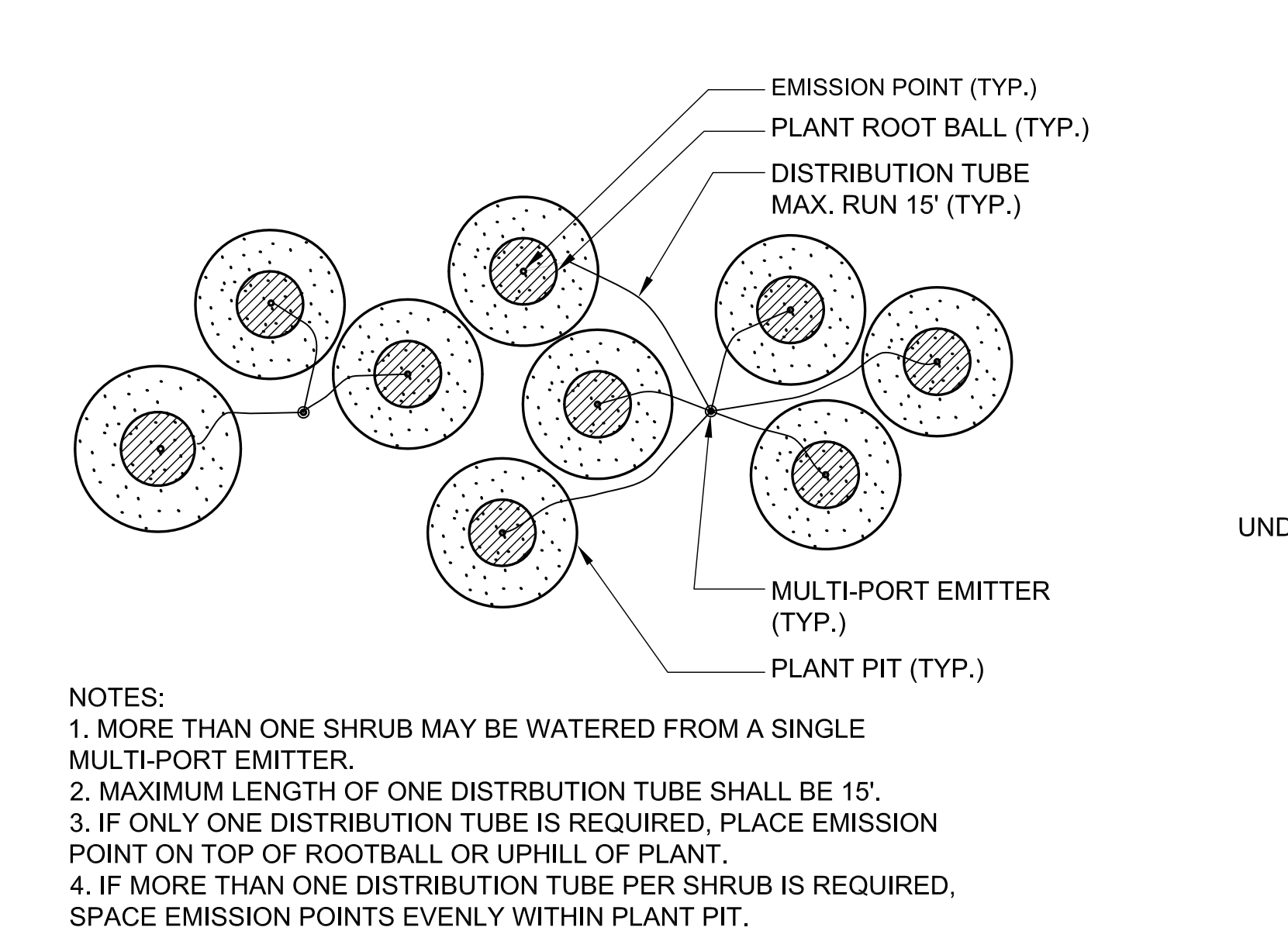
6 MULTI-OUTLET EMITTER ON PVC LATERAL
SCALE: NTS



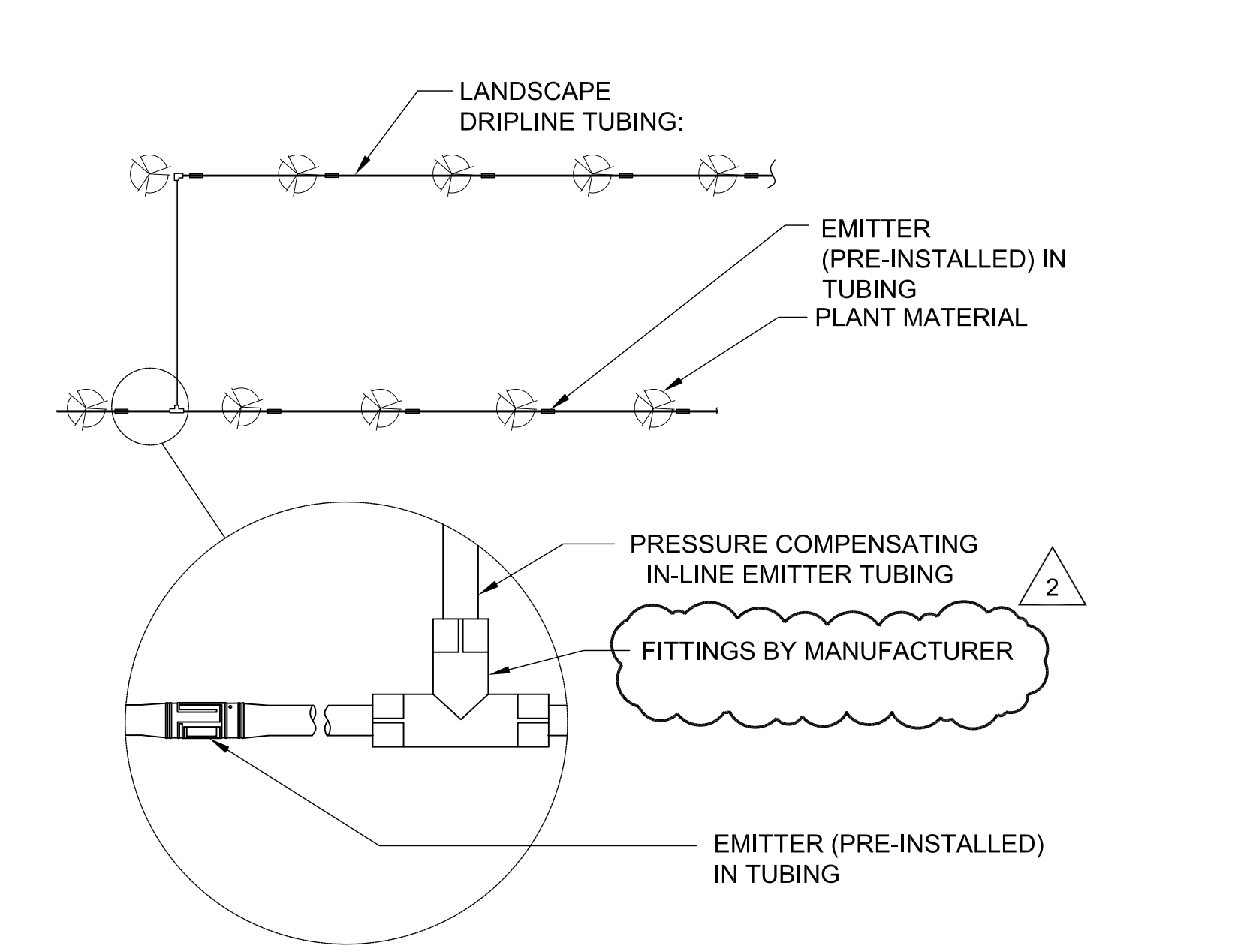
11 LANDSCAPE DRIPLINE CONNECTIONS
SCALE: NTS



3 REMOTE CONTROL VALVE W/ FILTER
SCALE: NTS

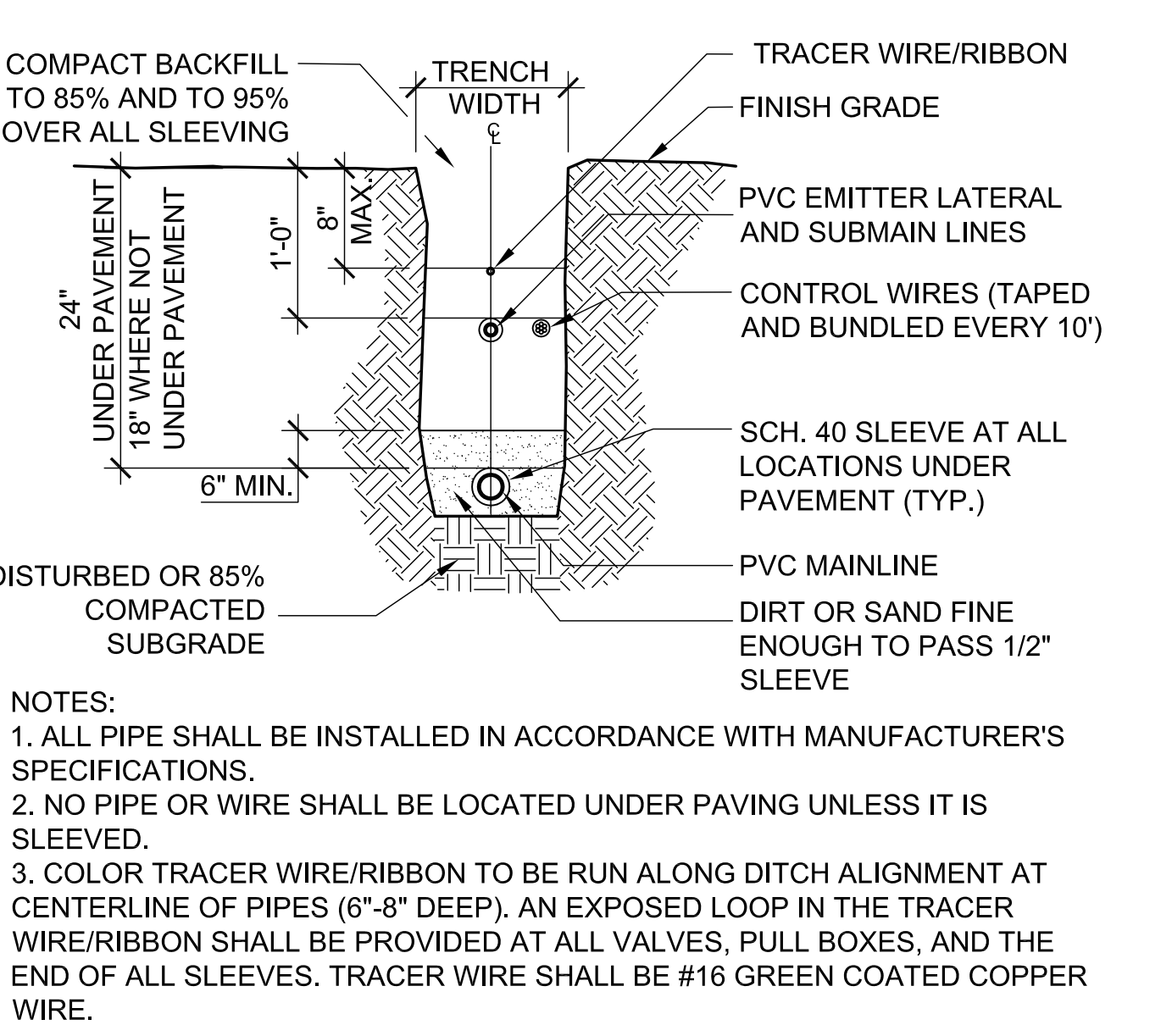
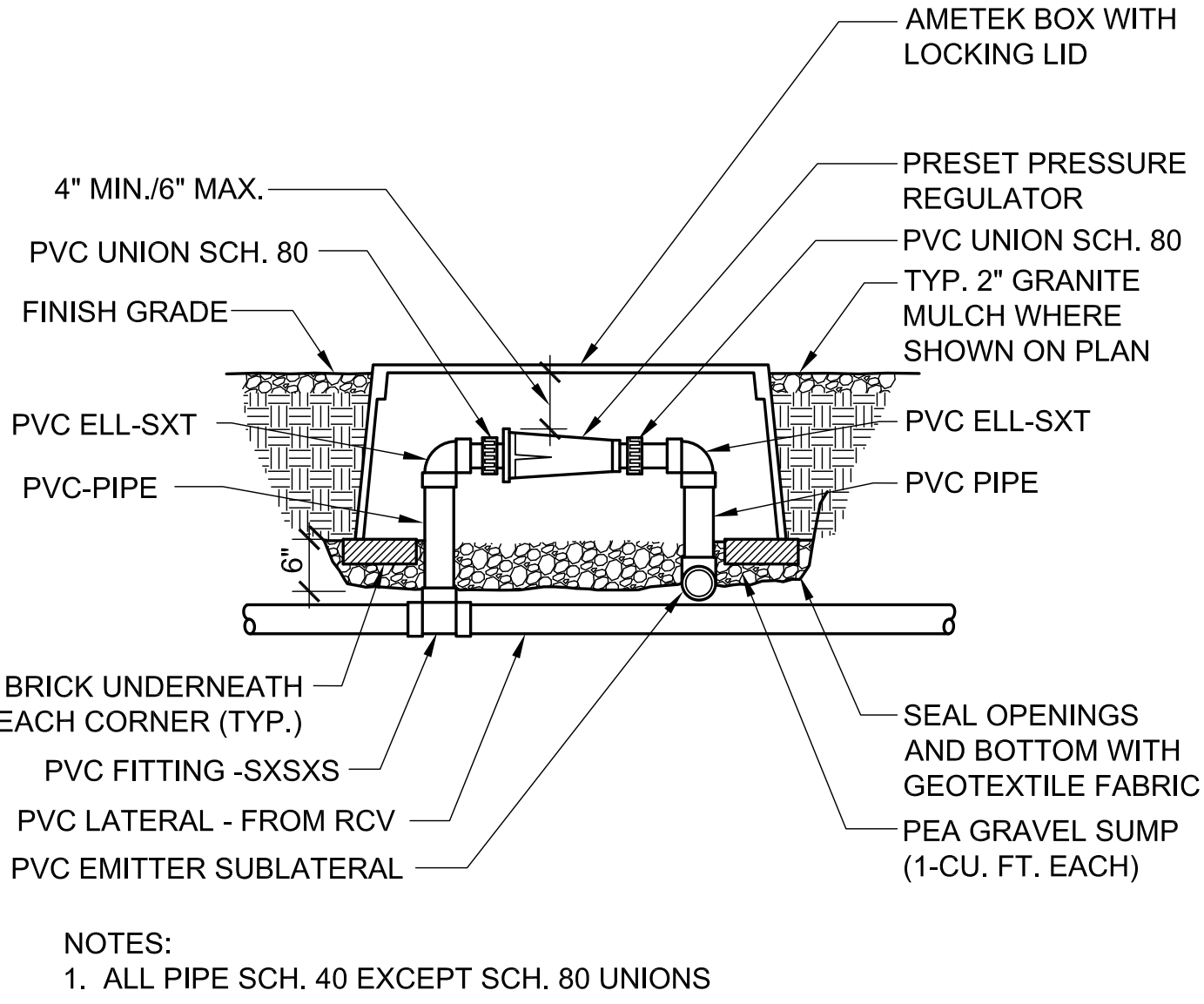


7 EMITTER LOCATION - SHRUBS
SCALE: NTS



11 LANDSCAPE DRIPLINE CONNECTIONS
SCALE: NTS

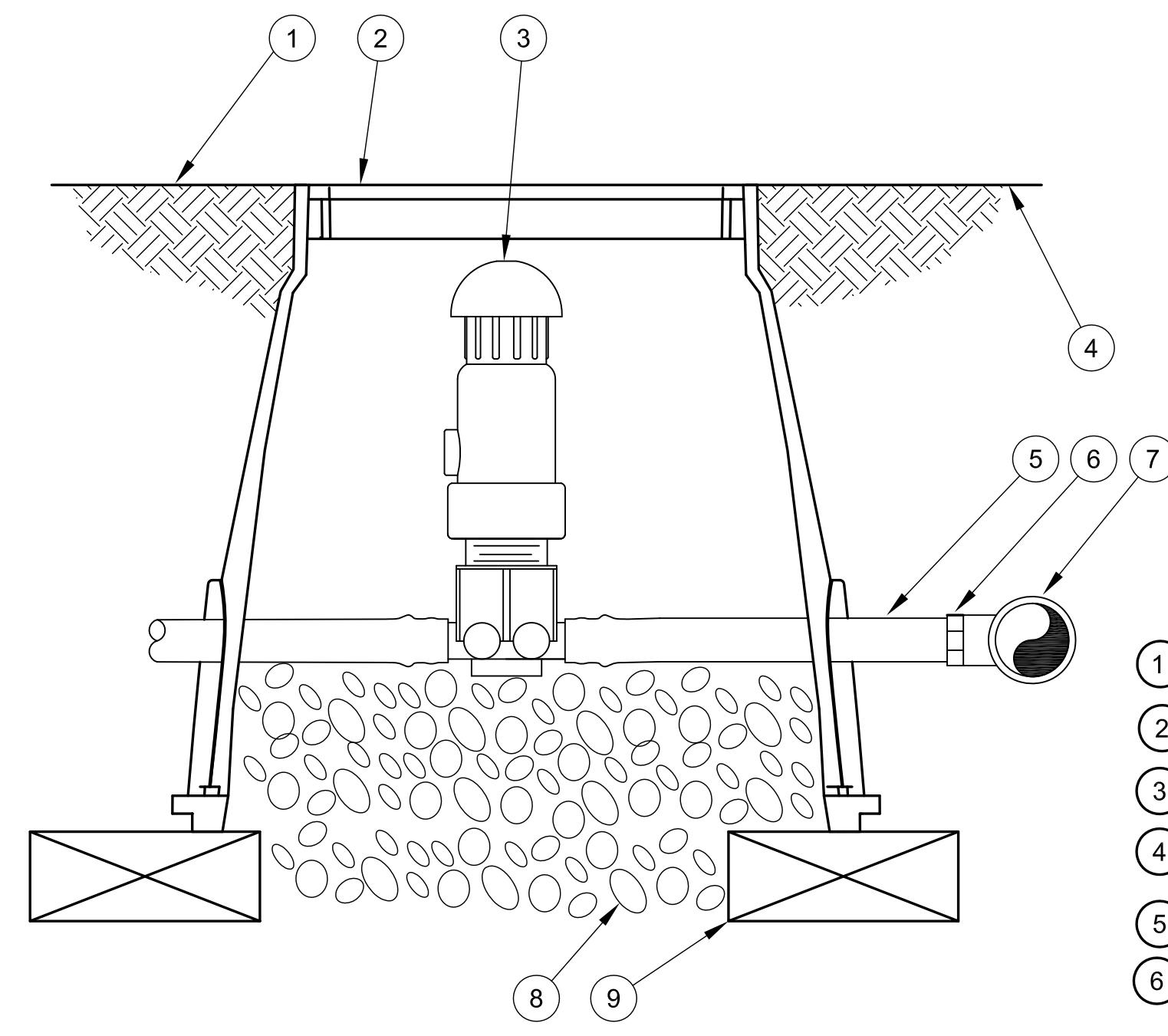
4 PRESSURE REGULATOR RISER
SCALE: NTS



8 IRRIGATION TRENCHING
SCALE: NTS



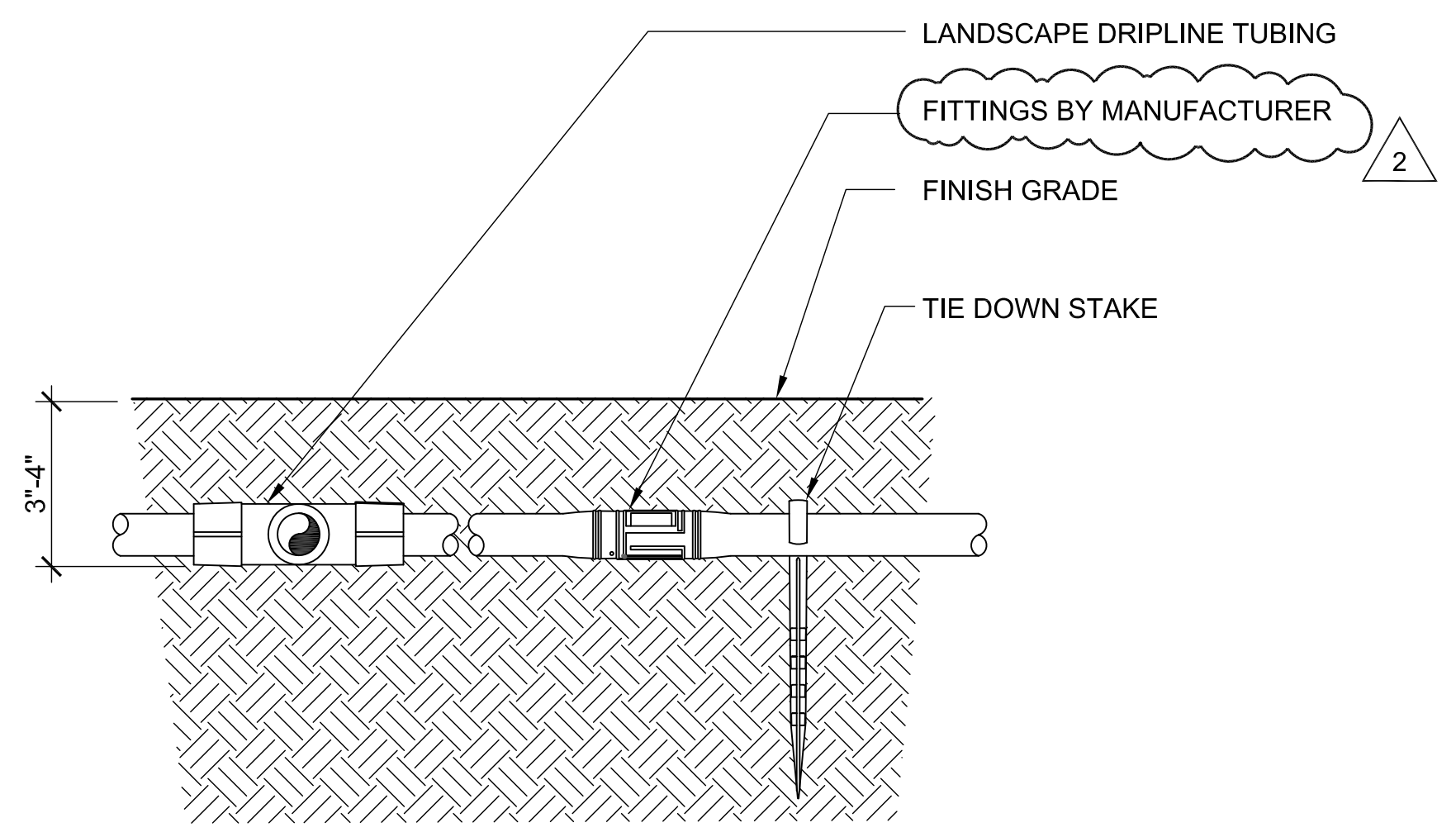
OWNER REVIEW
 08/25/11
 AUGUST 25, 2011
 Construction Documents
 r+b job #: 0209
 U.A. #: 08-8826



- ① FINISH GRADE
- ② SUBTERRANEAN EMITTER BOX:
RAIN BIRD SEB 7XB
- ③ AIR/VACUUM RELIEF VALVE KIT:
RAIN BIRD AR VALVE KIT
- ④ FINISH GRADE
- ⑤ 1/2" BLANK DRIPLINE TUBING:
RAIN BIRD XF SERIES
- ⑥ BARB X MALE THREAD
CONNECTOR:
RAIN BIRD XFD-MA FITTING
- ⑦ PVC TEE CONNECTED TO PVC
HEADER PIPE
- ⑧ 3" MINIMUM DEPTH OF
3/4" WASHED GRAVEL
BRICK (1 OF 2)
- ⑨

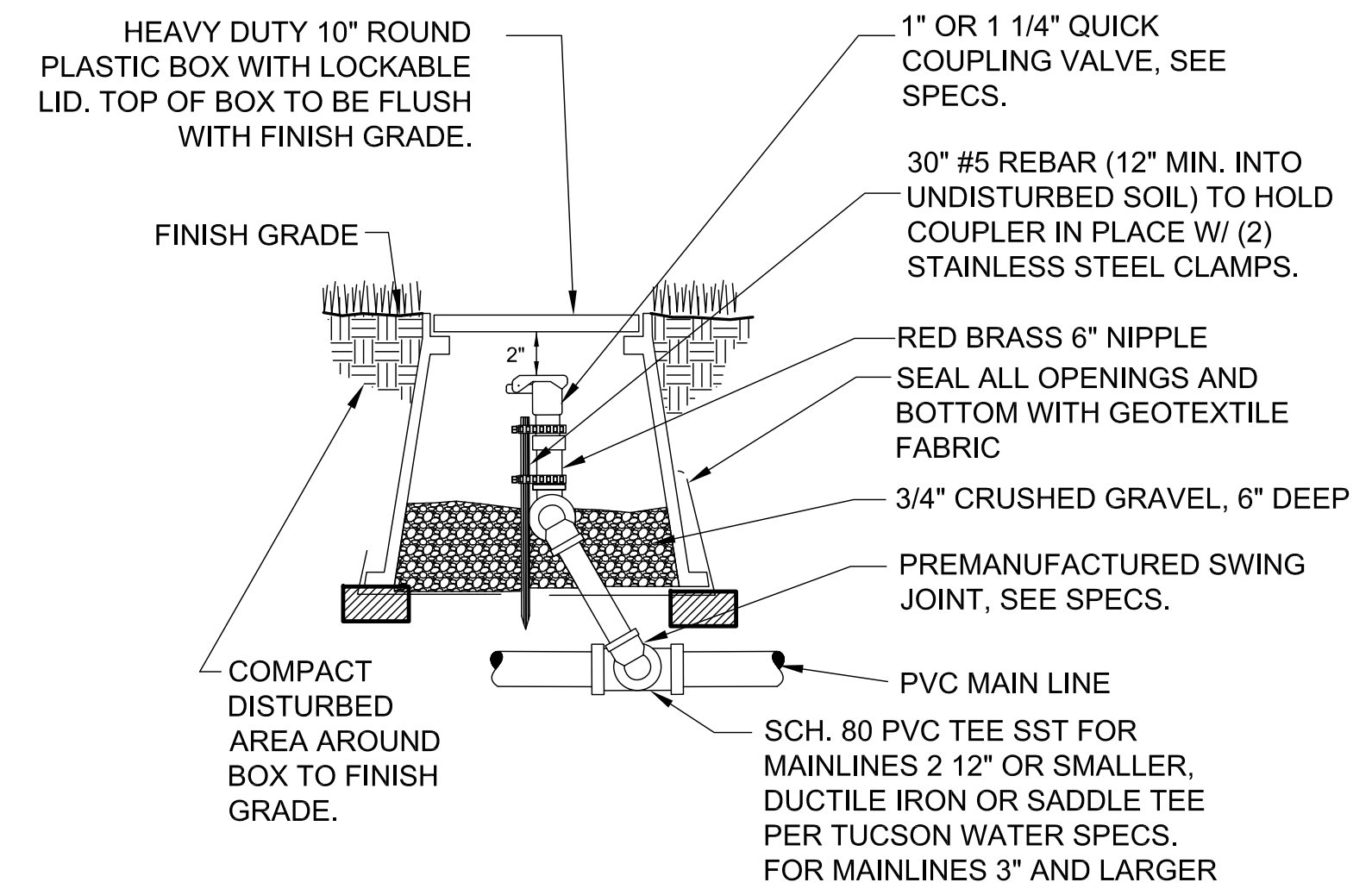
NOTE:
 1. INSTALL ONE PER CLOSED NETWORK OF LANDSCAPE DRIPLINE.

1 AIR/VACUUM RELIEF VALVE KIT
 SCALE: NTS

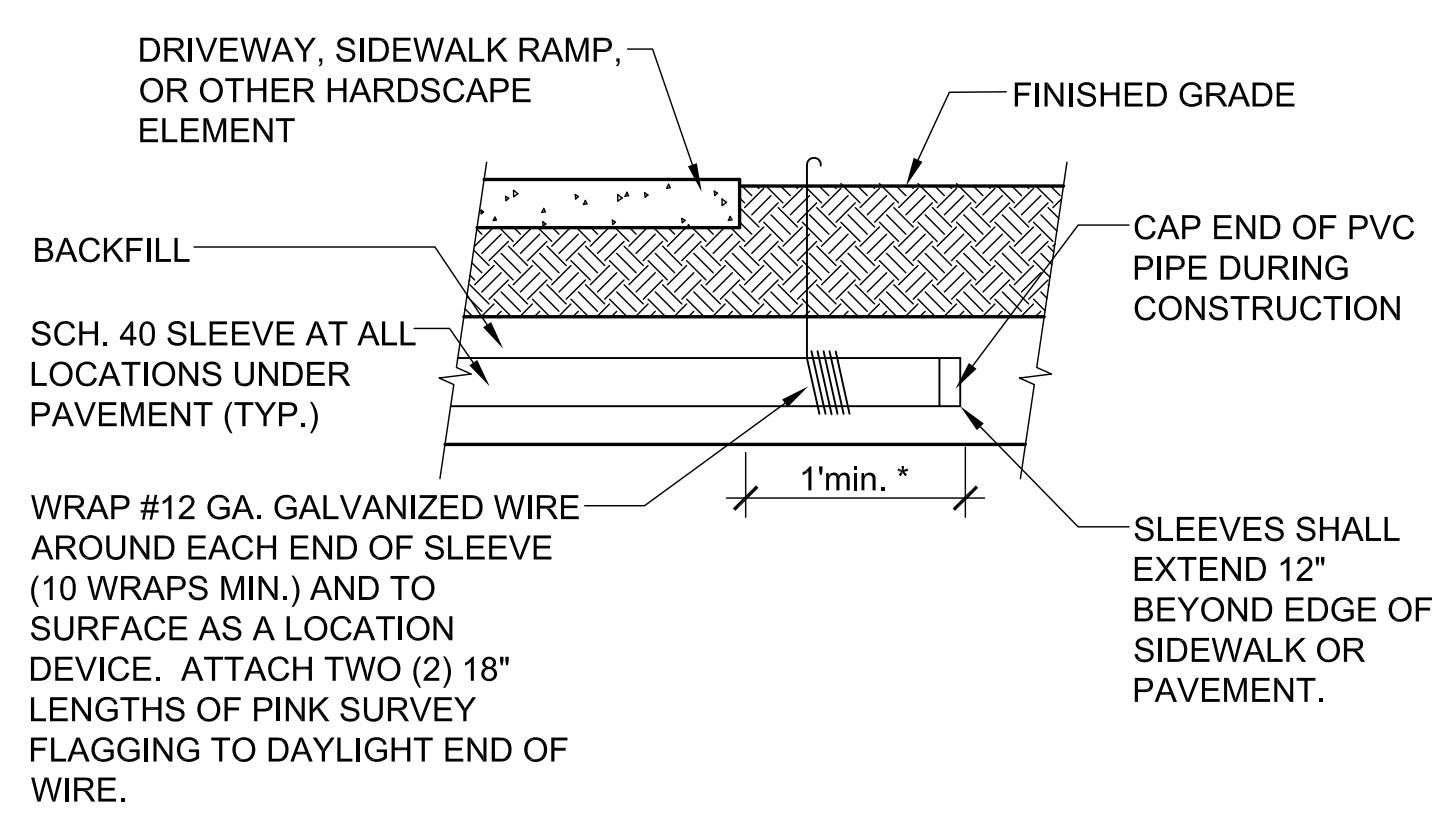


NOTE(S):
 DO NOT BURY LANDSCAPE DRIPLINE MORE THAN 4" BELOW GRADE.

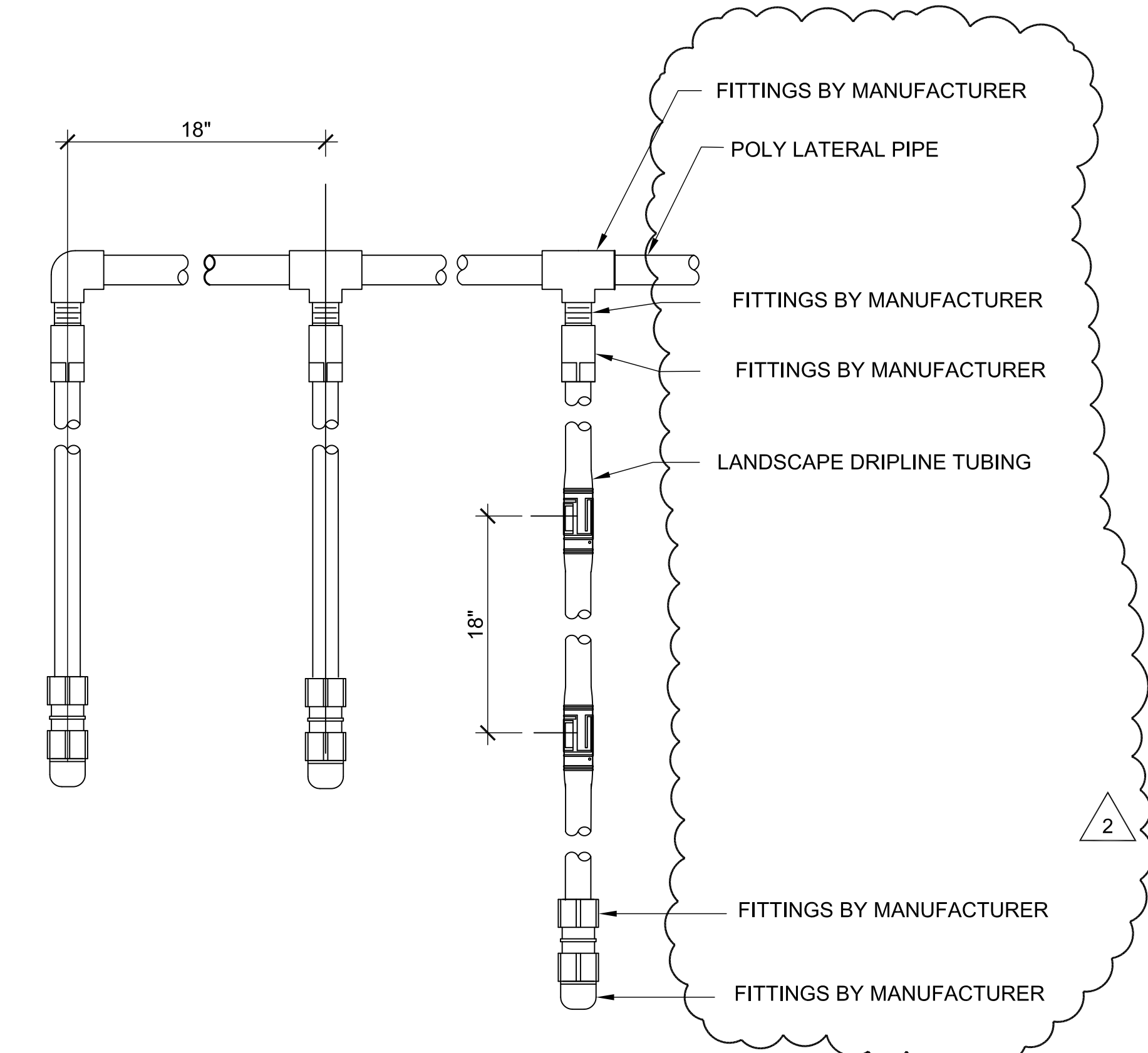
2 LANDSCAPE DRIPLINE 2" BELOW GRADE WITH EASY FIT TEE
 SCALE: NTS



3 QUICK COUPLER ASSEMBLY
 SCALE: NTS



4 IRRIGATION PIPE SLEEVE
 SCALE: NTS



5 LANDSCAPE DRIPLINE LATERALS
 SCALE: NTS

LABORATORY OF TREE-RING RESEARCH
BRYANT BANNISTER TREE-RING BUILDING
 The University of Arizona - Tucson, Arizona